

SOLDER PAD LAYOUT

PAD	CONNECTION
1	Enable / disable or Not connected
2	Not connected
3	Ground
4	Output 1
5	Output 2
6	Supply

Scale 2:1

Specifications

Parameters	Variant		Option Codes
	L	J	
Frequency range: 100 ~ 165MHz	<input checked="" type="checkbox"/>	<input checked="" type="checkbox"/>	
Frequency stability*: ±100ppm ±50ppm ±25ppm	<input checked="" type="checkbox"/> <input type="checkbox"/> <input type="checkbox"/>	<input checked="" type="checkbox"/> <input type="checkbox"/> <input type="checkbox"/>	B A
Operating temperature range: -10 to +70°C -40 to +85°C	<input checked="" type="checkbox"/> <input type="checkbox"/>	<input checked="" type="checkbox"/> <input type="checkbox"/>	I
Storage temperature range: -40 to +85°C	<input checked="" type="checkbox"/>	<input checked="" type="checkbox"/>	
Supply voltage (V_{DD}): +3.3V (±5%) +2.5V (±5%)	<input checked="" type="checkbox"/>	<input checked="" type="checkbox"/>	
Supply current: 70mA max, 50mA typ	<input checked="" type="checkbox"/>	<input checked="" type="checkbox"/>	
Output: LVDS	<input checked="" type="checkbox"/>	<input checked="" type="checkbox"/>	
Offset voltage: 1.25V typ	<input checked="" type="checkbox"/>	<input checked="" type="checkbox"/>	
Differential output voltage: 0.33V typ	<input checked="" type="checkbox"/>	<input checked="" type="checkbox"/>	
Output load: 100Ω	<input checked="" type="checkbox"/>	<input checked="" type="checkbox"/>	
Start up time: 10ms max	<input checked="" type="checkbox"/>	<input checked="" type="checkbox"/>	
Waveform symmetry: 45:55 max @ 50%V _{p,p}	<input checked="" type="checkbox"/>	<input checked="" type="checkbox"/>	
Rise / fall time: 1.0ns max (20 ~ 80%V _{p,p})	<input checked="" type="checkbox"/>	<input checked="" type="checkbox"/>	
Enable / disable function: Tristate (control via pad 1) None (pad 1 not connected)	<input checked="" type="checkbox"/> <input type="checkbox"/>	<input checked="" type="checkbox"/> <input type="checkbox"/>	N
Output enable / disable time: 20 ms / 200ns max	<input checked="" type="checkbox"/>	<input checked="" type="checkbox"/>	
Stand-by current: 30μA max	<input checked="" type="checkbox"/>	<input checked="" type="checkbox"/>	
Period jitter RMS: 5ps max, 3ps typ	<input checked="" type="checkbox"/>	<input checked="" type="checkbox"/>	

■ Standard. □ Optional - Please specify required code(s) when ordering

* Frequency stability is inclusive of calibration @ 25°C, operating temperature range, supply voltage change and load change.

Features

- ▶ Differential outputs
- ▶ Enable / disable tristate option
- ▶ Fast rise / fall times
- ▶ Designed for SONET, SDH, IEEE1394 etc

Standard Frequencies

Frequencies in MHz	
100.0000	155.5200
106.2500	156.2500
108.0000	161.1230
125.0000	164.3550
133.0000	

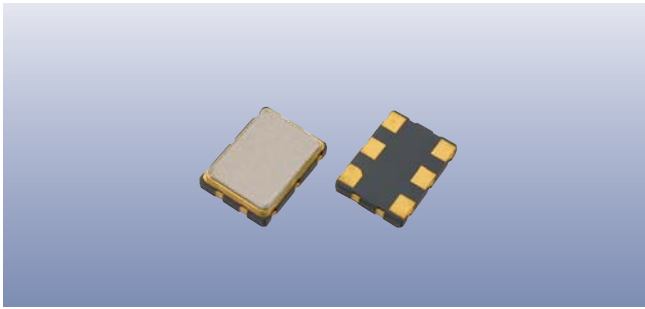
Other frequencies available. Please consult our sales office.

Ordering Information

Product name + variant + option codes (if any) + frequency
 eg: **GXO-L72L 108.0MHz** 3.3V, ±100ppm -10+70°C
GXO-L72J/BI 125.0MHz 2.5V, ±50ppm -40+85°C
 Option code X (eg GXO-L72L/X) denotes a custom spec.

Enable / Disable Function

Input (pad 1)	Output 1 (pad 4)	Output 2 (pad 5)
Open '1' level ($\geq 0.7V_{DD}$) '0' level ($\leq 0.3V_{DD}$)	Enabled Enabled High Impedance	Enabled Enabled High Impedance



Packaging & Handling

Production quantities supplied on T & R, 1k pcs per reel.
Small quantities may be supplied on tape (no reel), or in bulk.



◆ Static sensitive product. Observe proper handling precautions

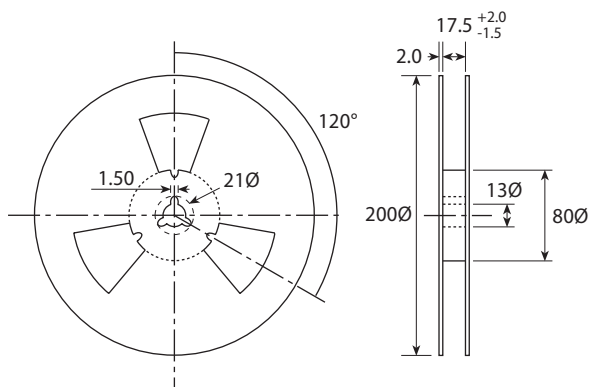
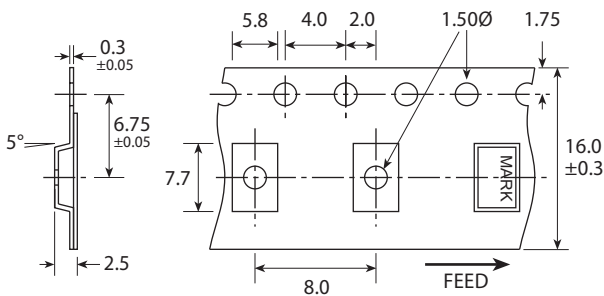
Marking

GOLLEDGE
FREQUENCY
● PARTNO DC

- Pin 1
- Marking type: Laser
- DC = Date code in YM, eg "CE" = May 2003

	A	B	C	D	E	F	G	H	J	K	L	M
Y	1	2	3	4	5	6	7	8	9	0		
M	Jan	Feb	Mar	Apr	May	Jun	Jul	Aug	Sep	Oct	Nov	Dec

Tape & Reel Specification



Not to scale. Dimensions in mm. Tolerances ±0.1mm unless otherwise stated

Construction

- ▮ Ceramic body with gold-plated pads
- ▮ Metal lid, seam sealed

Composition



This product is lead-free, and is fully compliant with the RoHS directive 2002/95/EC



Soldering Profile

